

MF1051S-2

FOR DIGITAL MOBILE TELEPHONE, Tx

MF1051S-2

DESCRIPTION

This SAW filter for the transmitting RF circuit of digital mobile communication equipment operating at 1429 MHz ~ 1453 MHz.

FEATURES

1. SMD package insures small size, lightweight.
2. Adjustment free.
3. High stop band attenuation and low insertion loss.
4. Wide and sharp passband characteristics.
5. High stability and reliability.
6. Designed for reflow solderings.

APPLICATION

- Digital mobile cellular telephone
- Portable digital cellular telephone
- Wireless equipment

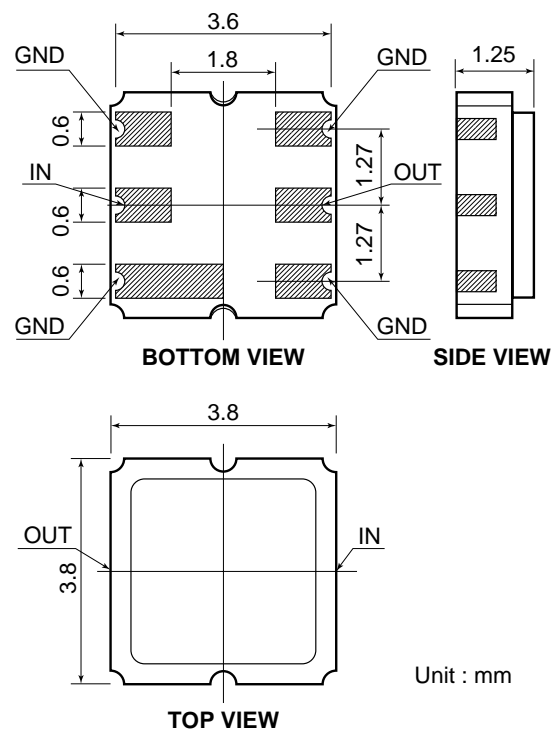
ELECTRICAL PERFORMANCE

Parameter	MF1051S-2			Units
	Min	Typ	Max	
PASSBAND FREQUENCY	1429 – 1453			MHz
PASSBAND CHARACTERISTICS				
Insertion Loss		2.5	3.4	dB
Ripple		0.5	1.5	dBp-p
VSWR		1.7	2.5	
STOPBAND ATTENUATION				
0 – 1050 MHz	40	45		dB
1050 – 1360 MHz	25	27		dB
1477 – 1501 MHz	15	22		dB
1607 – 1631 MHz	40	45		dB
1785 – 1809 MHz	35	38		dB
1809 – 3000 MHz	25	30		dB

MAXIMUM RATINGS

Rating	Value	Unit
Input Power	40	mW
Operating Temperature Range	-20 to 75	°C
Storage Temperature Range	-30 to 85	°C

PACKAGE OUTLINE DIMENSIONS



DIMENSIONS ARE IN MILLIMETERS
±0.2 UNLESS OTHERWISE SPECIFIED

MF1051S-2 TYPICAL CHARACTERISTICS

